

# 2.2

## Molded Case Circuit Breakers

### Power Defense Molded Case Circuit Breakers

#### Catalog Number / Product Selection

2

#### Power Defense—Frame Size 4 (300–800 A)

Frame Size 4 covers a range of 320 A through 800 A using electronic trip units, and 300 A through 800 A using thermal-magnetic trip units. It is available in configurations of 2-pole, 3-pole and 4-pole, with the 2-pole being in the same physical size of a 3-pole variant.

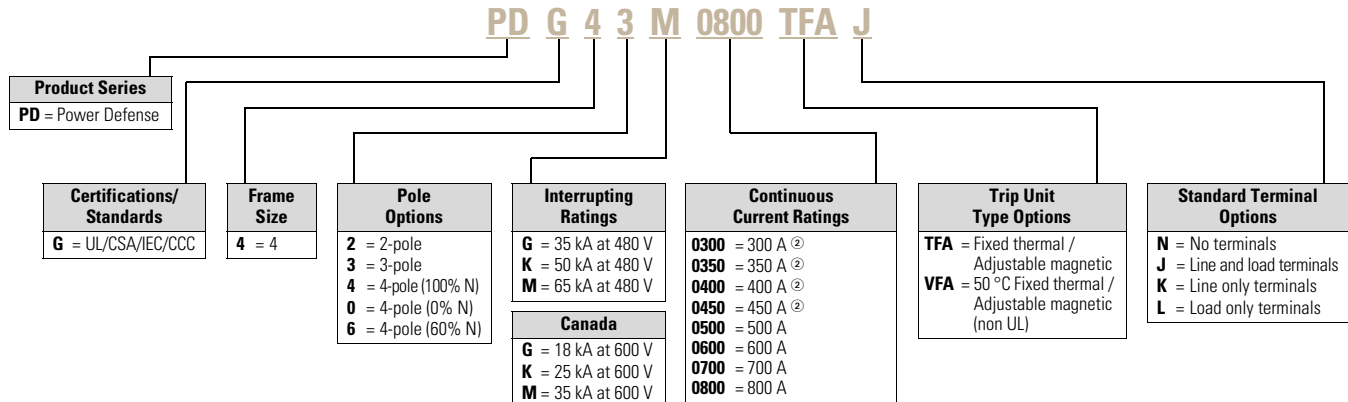
#### Interrupting Ratings

	G		K		M	
UL/CSA	kA rms		kA rms		kA rms	
240 Vac	65		85		100	
480 Vac	35		50		65	
600 Vac	18		25		35	
250 Vdc ①	22		22		25	
IEC	I <sub>cu</sub>	I <sub>cs</sub>	I <sub>cu</sub>	I <sub>cs</sub>	I <sub>cu</sub>	I <sub>cs</sub>
240 Vac	55	55	85	85	100	100
380–415 Vac	36	36	50	50	70	53
440 Vac	30	22.5	35	35	50	40
480 Vac	25	20	35	22.5	50	30
525 Vac	20	16.5	25	20	30	25
660–690 Vac	8	4	10	5	15	7.5
250 Vdc ①	22	22	22	22	25	25

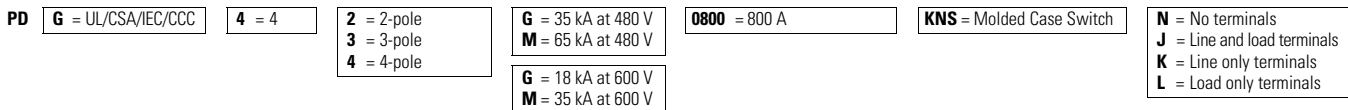
#### Power Defense—Frame Size 4 (300–800 A)

This information is presented as a tool to develop catalog numbers for selecting Power Defense circuit breakers and trip units.

#### Molded Case Circuit Breakers with Thermal-Magnetic Trip Units (TMTU)—Globally Rated



#### Molded Case Switches—Globally Rated ③



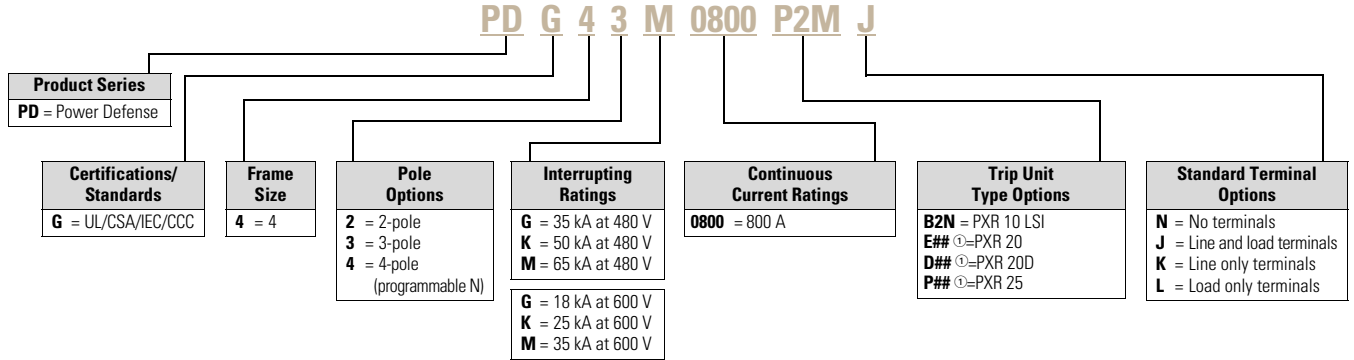
#### Notes

- ① DC ratings available in thermal-magnetic breakers only. 250 Vdc is achieved using 2 poles in series.
- ② Not available in 4-pole 60% neutral protection.
- ③ Molded case switch may open above 6000 A.

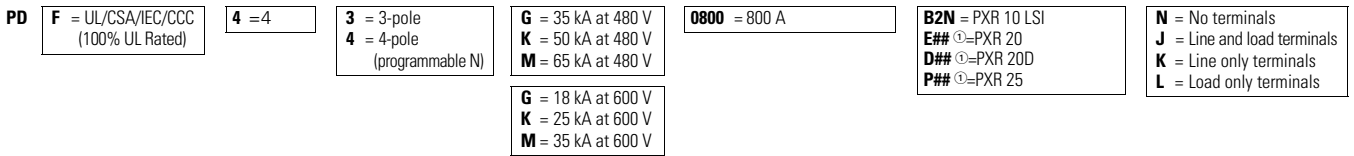
### Molded Case Circuit Breakers with Power Xpert Release (PXR) Electronic Trip Units (ETU)

This information is presented as a tool to develop catalog numbers for selecting Power Defense circuit breakers and trip units.

#### Molded Case Circuit Breakers with PXR ETU—Globally Rated



#### Molded Case Circuit Breakers with PXR ETU—Globally Rated (100% UL Rated)

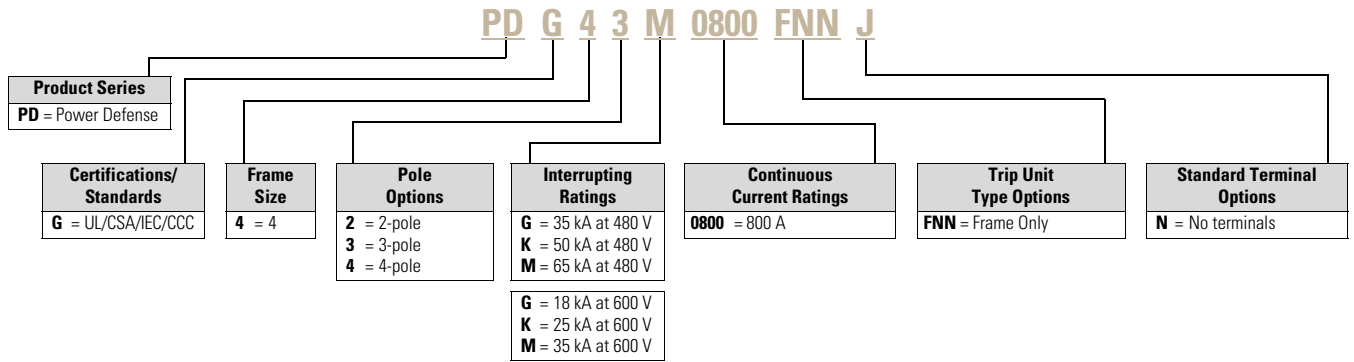


### Globally Rated Frame Only

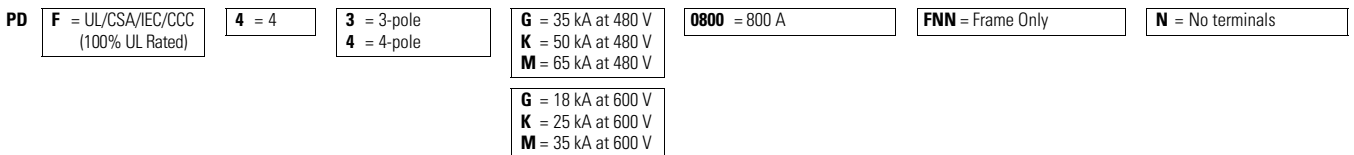
PD-4 thermal-magnetic and electronic breakers may also be purchased as separate frames, trip units, terminals and accessories for field configuration of a final breaker. Each Frame Only device is marked with interrupting ratings and a maximum continuous current rating; each trip unit is also marked with a maximum continuous current rating, which must not exceed that of the frame. Additionally, 100% UL Rated frames are marked as such on the Frame Only device.

This information is presented as a tool to develop catalog numbers for selecting Power Defense circuit breakers and trip units.

#### Frame Only—Globally Rated



#### Frame Only—Globally Rated (100% UL Rated)



#### Note

⊕ See tables and descriptions on **Page V4-T2-61** for protection type (#<sub>1</sub>) and available configured options (#<sub>2</sub>).

# 2.2

## Molded Case Circuit Breakers

### Power Defense Molded Case Circuit Breakers

2

#### Trip Units

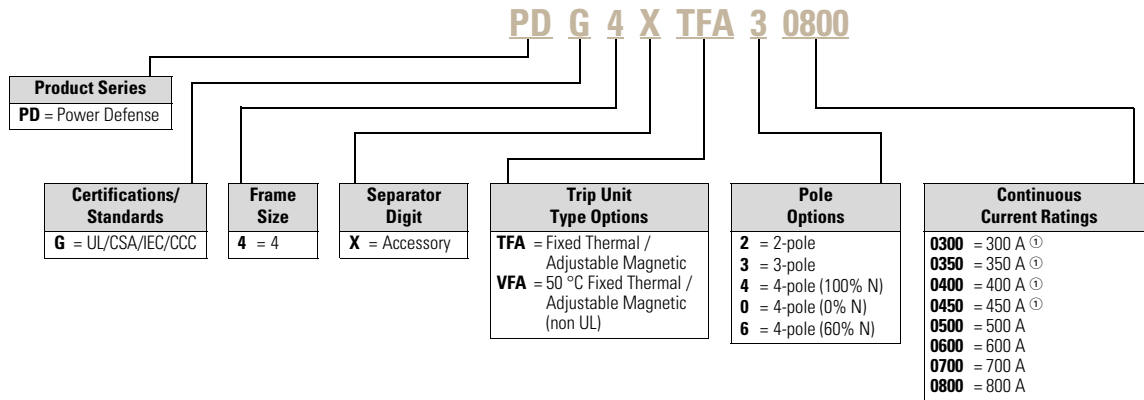
PD-4 thermal-magnetic and electronic breakers may also be purchased as separate frames, trip units, terminals and accessories for field configuration of a final breaker. For two-pole breakers using electronic trip units, three-pole trip units are used.

PDG designated trip units are for use with PDG and PDF breaker frames. The 100% rating for PDF (100% UL Rated) is marked on the frame, not the trip unit.

#### Trip Units Only

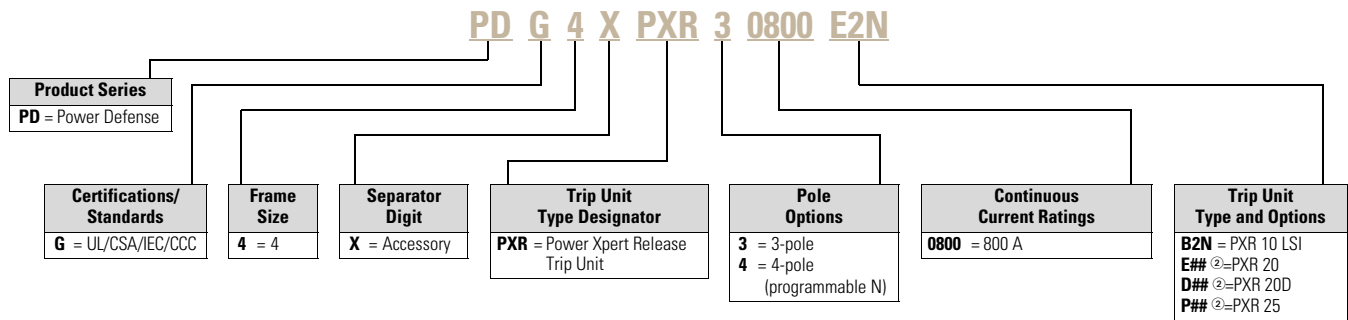
This information is presented as a tool to develop catalog numbers for selecting Power Defense circuit breakers and trip units.

#### Thermal-Magnetic Trip Units



#### Power Xpert Release (PXR) Electronic Trip Units

#### Power Xpert Release (PXR) Electronic Trip Units



#### Notes

- ① Not available in 4-pole 60% neutral protection.
- ② See tables and descriptions on **Page V4-T2-61** for protection type (#<sub>{1}</sub>) and available configured options (#<sub>{2}</sub>).